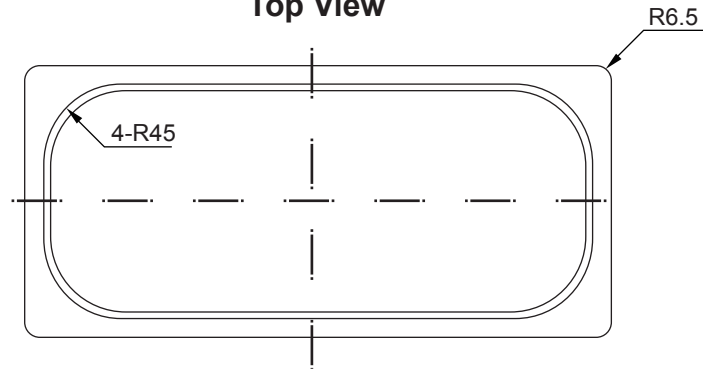
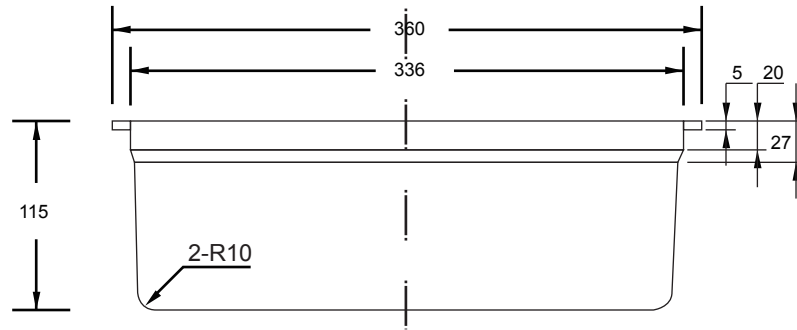


5 Litre Stainless Steel Pan
201 Stainless Steel, 22 Gauge
Nominal Size 14.17" x 6.5" x 4.75"
Anti Jam Feature

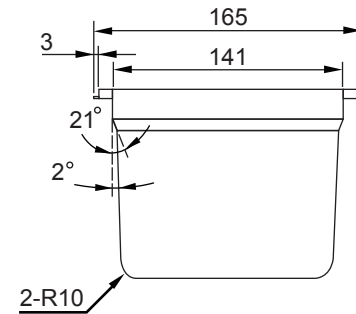
Top View



Front View



Side View



Tarrison Products Ltd.

Corporate Head Office
 2780 Coventry Road, Oakville, Ontario, L6h 6R1
 Phone: 905-825-9665 Fax: 905-825-0965
 sales@tarrison.com www.tarrison.com

US Sales Office
 4 Park Street, Essex Junction, VT, 05452
 Phone: 802-922-7025 Fax: 905-825-0965
 tarrisonus@comcast.net www.tarrison.com